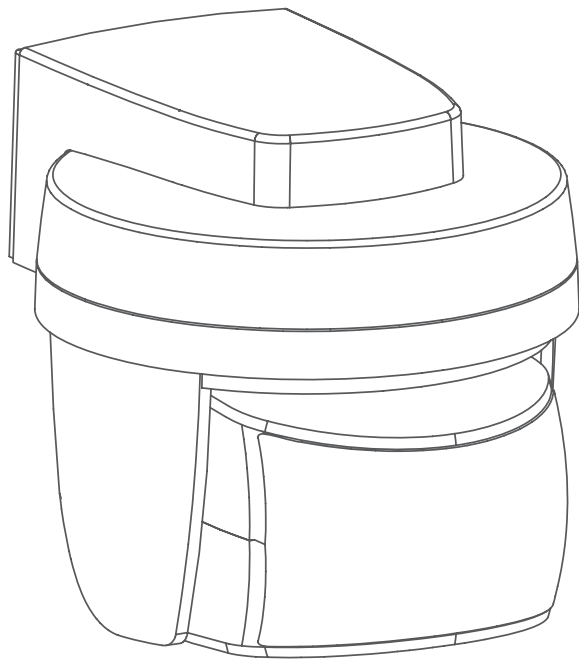


Alpha IP

SMO 63001



Instruction manual

Contents

1	About these instructions	17
1.1	Validity, storage and forwarding of the instructions	17
1.2	Symbols	17
2	Safety.....	18
2.1	Intended use	18
2.2	Safety notes	18
3	Function	19
4	Device overview	20
4.1	Technical Data	20
5	Commissioning.....	21
5.1	Teach-in of the device	21
5.2	Installation	22
	5.2.1 Selection of installation place	22
	5.2.2 Installation	23
6	Operation	24
7	Displays.....	24
7.1	Status displays	24
7.2	Error indications	25
8	Changing batteries.....	26
9	Cleaning	26
10	Resetting factory settings	27
11	Decommissioning	28
12	Disposal	28

1 About these instructions

1.1 Validity, storage and forwarding of the instructions

These instructions apply to the Alpha IP Motion Detector with Twilight Sensor – Outdoor. These instructions include information necessary for commissioning and operating. These instructions must be read completely and thoroughly before commencing any work with the device. These instructions must be kept and handed over to future users.



These instructions as well as constantly up-to-date additional Alpha IP system information can be found under www.alphaip.de.



System information, functions and operating steps from the Alpha IP Access Point (HAP 2001) instructions must be followed.

1.2 Symbols

The following symbols are used in this manual:



Hazard symbol:

Indicates a hazard with possible personal damage



Note:

Identifies important or useful information

- ⇒ Preconditions
- ✓ Result from an action
- List without fixed order
- 1., 2. List with fixed order

2 Safety

2.1 Intended use

The Motion Detector with Twilight Sensor – Outdoor is a system component of the Alpha IP system and serve

- for installation in environments of residential use,
- for the detection of motion and ambient brightness,
- as a component for Alpha IP security applications,
- for the wireless connection of further Alpha IP components and the communication with these

Every other use, modification and conversion is expressly forbidden. Improper use leads to dangers the manufacturer cannot be held liable for and will exempt guarantees and liabilities.

2.2 Safety notes

All safety notes in these instructions must be observed in order to avoid accidents causing personal damage or property damage. No liability is assumed for personal damage and property damage caused by improper use or non-observance of the danger notes. In such cases any warranty claim is invalid. There is no liability for consequential damages.

- Only use the device if it is in flawless state.
- Observe the performance limits of the device and its environmental conditions.
- Ensure that children do not play with this device or its packaging. Children must be monitored if necessary.
- Do not throw packaging material carelessly away. Plastic foils, bags, styrofoam parts etc. may become a dangerous plaything in the hands of children.

3 Function

The Alpha IP Motion Sensor – Outdoor (SMO 63001) detects motion and ambience brightness outside buildings within a detection range of 12 metres and an opening angle of 90°.

The device can be rotated variably in an angle of 360°, and tilted.

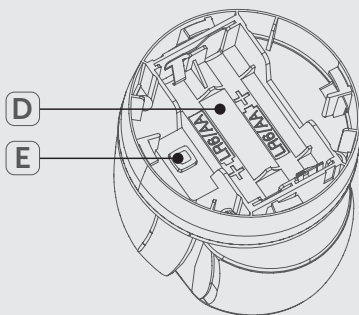
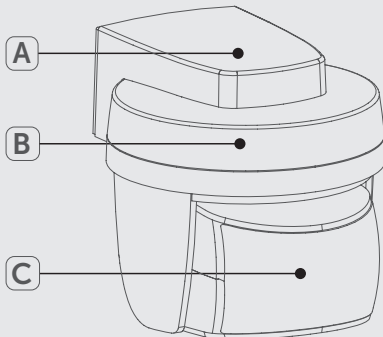
Thus, the motion sensor can be applied for security applications as well as for light switching purposes. In conjunction with other Alpha IP devices, the motion control can switch connected consumers (e. g. lamps) or generate alarms.

Short-termed brightness variations are filtered out, preventing unintended reactions. The triggering brightness and reaction sensitivity can be configured via the Alpha IP app.

Communication with other components is performed via the Homematic (HmIP) radio protocol. Radio transmission is realised on a non-exclusive transmission path; thus, interference cannot be completely excluded. Interference can be caused e. g. by switching processes, electric motors or defective electric appliances.



The range inside buildings can be strongly different from the range in open air.



4 Device overview

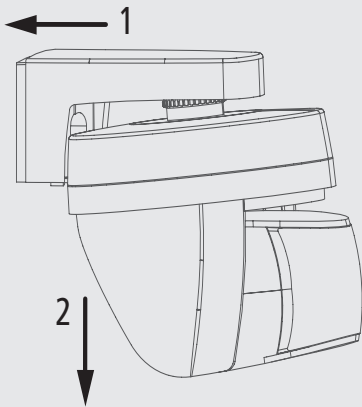
- (A) Wall-mounted support
- (B) Battery compartment cover
- (C) Passive infra-red Sensor (PIR)
- (D) Battery compartment
- (E) System key and device LED

4.1 Technical Data

Short designation of the device	SMO 63001
Supply voltage	2 x 1,5 V LR06/Mignon/AA
Power consumption	40 mA
Battery service life	3 years (typ.)
Protection type	IP20
Ambient temperature	-20 bis 55 °C
Dimensions (W x H x D)	76 x 74 x 90 mm
Weight	170 g (including batteries)
Radio frequency	868,3 MHz / 869,525 MHz
Typ. radio range	230 m (in open air)
Detection range	12 m
Detection angel horizontal	90°
Receiver category	SRD category 2
Duty Cycle	< 1 % per h/< 10 % per h
Guidelines	2014/53/EU Radio installations 2014/30/EU EMC 2011/65/EU RoHs

5 Commissioning

5.1 Teach-in of the device



Prior to operating the SMO 63001, it must be integrated into the Alpha IP system via the Access Point (HAP 21001). For this, teach-in the respective device as follows.

⇒ The Alpha IP Access Point has been set up via the Alpha IP app.

1. Open the Alpha IP app on your smart phone.
2. Select the menu item Teach-in device.
3. Remove the motion sensor from the wall-mount support (see figure on the left).
4. Rotate the battery compartment cover (see „Device overview“ page 20) and remove it.
5. Remove the insulating strip from the battery compartment.
- ✓ No movement detection for approximately 30 seconds.
- ✓ The teach-in mode is automatically activated for three minutes.



The teach-in mode can be activated manually for 3 minutes via the system key (see „Device overview“ page 20).

6. The device will be displayed automatically in the app.
7. For confirmation of the teach-in process, enter the last four digits of the device number (SGTIN) in the app or scan the supplied QR code. The device number can be found on the back side of the device.



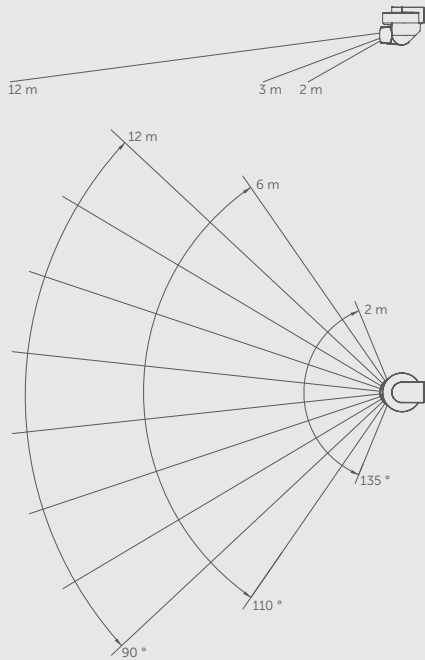
The LED will light up in green after a successful teach-in process. The process must be repeated if the LED lights up in red.

- ✓ The function test starts.



The function test starts for a duration of 10 minutes after a successful teach-in process. When the PIR lens detects a movement, the device LED lights up. This allows a direct test of detection range and sensitivity. When the time has elapsed, the device changes to the individually set configuration.

8. Put on and rotate the battery compartment cover until it clicks into place.
9. Follow the directions of the Alpha IP app.



5.2 Installation

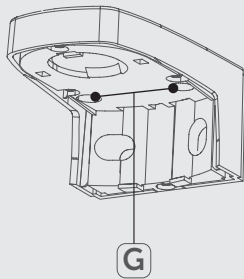
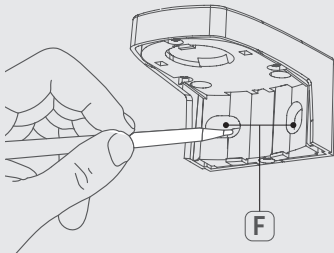
The motion sensor is intended for wall or ceiling installation. The supplied wall-mount support must be used for wall installation. A suitable installation place must be chosen prior to mounting.

5.2.1 Selection of installation place

The PIR lens of the device can be rotated variably in an angle of 360°, and tilted.

Observe the following preconditions for selecting a suitable installation place:

- Weatherproof, free from direct sun radiation, other heat sources, and car headlight beams.
- The detection range is up to 12 metres. The detection angle is 90°. The figure on the left shows the full detection range.
- Recommended installation height: approx. 2 to 2.5 m
- Unintended triggering caused by pets cannot be excluded. In order to reduce that risk, align the detection range by varying the height of the detection lens.
- Please observe the general safety notes (see „Safety notes“ page 18).
- The detection performance depends on the temperature difference between the moving object and the respective background. It is impossible to detect temperature differences through glass panes.
- The highest sensitivity is reached by a movement in transversal direction through the detection range. Direct movement towards the motion sensor or from the sensor away will result in the lowest sensitivity.



5.2.2 Installation

WARNING

Personal injury by electric shock!

If a live wire is damaged during drilling work, there is danger of electric shock.

- Inspect the installation place for wires prior to drilling.
- Ensure that no wires are hidden behind the spot to be drilled.
- Change the place of installation if necessary.

⇒ The commissioning has been performed.

⇒ A suitable place of installation has been selected. (see „Selection of installation place“ page 22)

1. Ensure that no lines are laid at this position.

2. Mark the drilling holes:

Wall installation: see (F) in figure on the left

Ceiling installation: see (G) in figure on the left

Prior to installation in a corner, drill through the drilling holes of the wall-mount support with a 3,2 mm drill.

3. Drill the holes at the marked spots with a 5 mm drill, 35 mm deep.
4. Insert the dowels into the bores.
5. Install the wall-mount support with the supplied screws.
6. Insert the motion sensor to the wall-mount support. It will latch audibly.

6 Operation

After the teaching-in and the installation of the device, the configuration for e. g. security applications or the twilight sensor is performed via the Alpha IP app.

7 Displays

The LED of the system key of the device signals the device status by means of light and flashing patterns.


7.1 Status displays

Display	Meaning	Meaning
Long lighting in green	Process confirmed	Confirmation of performed setting/transmission.
1 lighting in orange and 1 lighting in green (after plugging into a power outlet)	Test indication	Wait until the device is ready.
Short flashing, orange	Radio transmission	Wait until the transmission has ended.
Short flashing, orange (once every 10 seconds)	Teach-in mode active	Enter the last four digits of the serial number of the device.
Long/short flashing, orange (alternately)	Updating the device software	Wait until the update is finished.
1 lighting in red	Motion detection	Display when motion is detected

7.2 Error indications

Display	Meaning	Solution
Long lighting in red	Transmission error, transmission limit reached (duty cycle)	<ul style="list-style-type: none"> • Re-send the command after one hour at the latest in case of exceeded duty cycle. • Check the device for defects, • e. g. mechanical blocking. • Eliminate radio interference.
6x long flashing, red	Device defective	<ul style="list-style-type: none"> • Observe the indication in the app. • Have the device checked by a specialist dealer. • Replace the device.
Short lighting in orange (after receipt message)	Batteries empty	Change the batteries

8 Changing batteries

Flashing codes at the device (see „Displays“ page 24), or the symbol  in the Alpha IP app, signalises low battery voltage. Replacing the batteries.

9 Cleaning

Clean the device with a soft, clean, dry, and lint-free cloth. The cloth may be moistened with lukewarm water for the removal of heavier contamination. Use a solvent-free cleaning agent for cleaning.

10 Resetting factory settings

All settings will be lost when the factory settings are restored.

1. Open the battery compartment (see „Teach-in of the device“ page 21).
 2. Remove the battery.
 3. Insert the battery into the battery compartment according to the marking and simultaneously press the system key for 4 seconds until the LED flashes quickly in orange.
 4. Release the System key.
 5. Press the System key again for 4 seconds until the LED lights up in green.
 6. Release the System key again.
- ✓ The device restarts.
 - ✓ The factory settings are reset.

11 Decommissioning

1. Open the battery compartment.
2. Remove the battery.
3. Dispose of the device properly.

12 Disposal

Do not dispose of the device with domestic waste!

Electronic devices/products must be disposed of according to the Directive for Waste Electrical and Electronic Equipment at the local collection points for waste electronic equipment.



This manual is protected by copyright. All rights reserved. It may not be copied, reproduced, abbreviated or transmitted, neither in whole nor in parts, in any form, neither mechanically nor electronically, without the previous consent of the manufacturer. © 2016